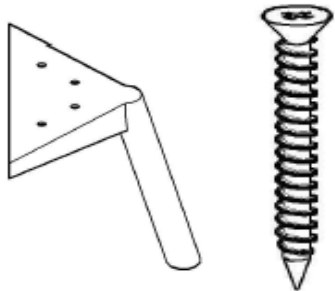
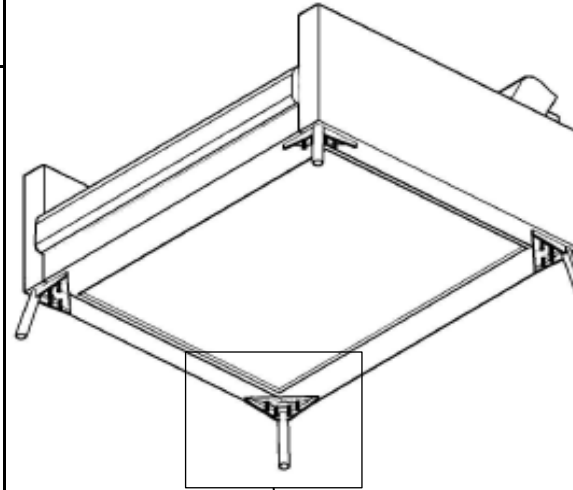
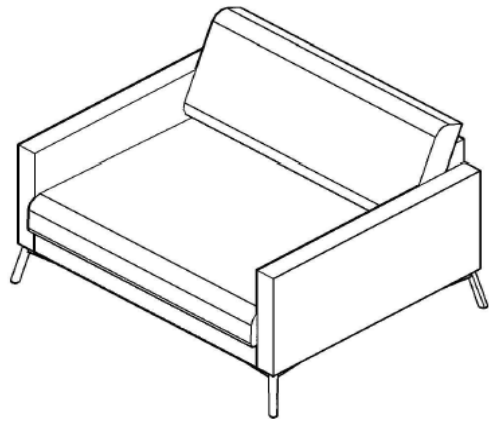


# zUIVER°

## assembly instruction



Leg x4

A - (5x30) x16

